



RECA *VISO*
SYSTEM WORLD

VISO? BECAUSE WE CAN.

INDIVIDUAL, ROBUST AND FLEXIBLE.



Compatible and flexible thanks to grid dimensions

- Allows the content to be customized for different areas of application.
- Cases can be used in the MAXMOBIL van racking system.



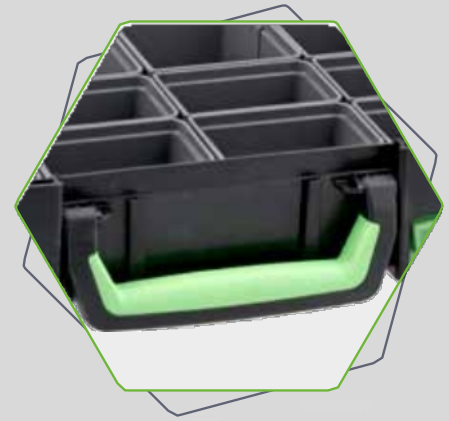
Ideal overview

- Transparent lid for a clear view of the contents.
- Flat lids allow the use of thermoformed inserts and empty boxes.
- Grid lids in conjunction with empty boxes prevent small parts from getting mixed up 100%.





FILM DOWN!



High wearing comfort

- Large handle.
- Integrated soft component and large swivel radius take the strain off hands and wrists.
- Handle loadable with up to 60 kg.



Practical functional elements

- Easy to open and close thanks to latches with recessed grips.
- Labeling field for adhesive or insert labels.



Connecting several cases

Integrated rail contour and coupling elements enable the connection of several cases and safe transportation.



RECA VISO System World

Individual, Robust And Flexible.



- Transparent lid for content visibility and grid lids prevent small parts from mixing.



- Recessed latches for easy opening & a labeling field customization.



- Integrated rail contour and coupling elements allow secure connection and transportation of multiple cases.



- Large handle with soft component and wide swivel radius for high wearing comfort and up to 60 kg load capacity

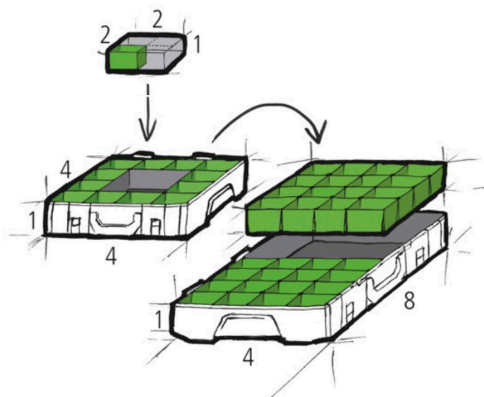
THE 1.1.1 Basic Grid Forms The Basis For The Versatile Reca VISO Organizing System.

The basis for the new RECA VISO system world is a uniform grid dimension. This enables limitless possibilities with regard to all case sizes. The smallest unit of measurement is 1.1.1, which corresponds to one unit in width, depth and height. 1.1.1 corresponds to the smallest empty box and is therefore the basic dimension.

Unit 1.1.1



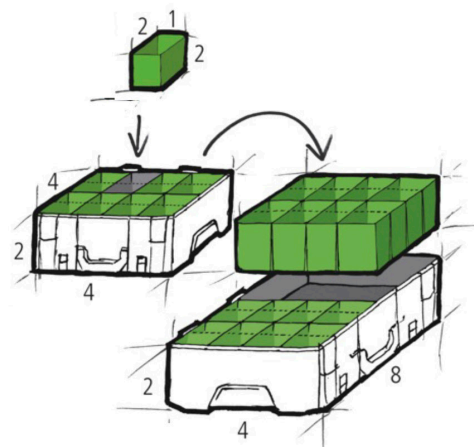
Unit 2.2.1



Case 4.4.1

Case 8.4.1

Unit 2.1.1



Case 4.4.2

Case 8.4.2

RECA VISO SYSTEM CASE

Case 4.4



Case 4.4.1 T Transparent

without content

Item No	External Dimension mm (W x D x H)	Internal Dimension mm (W x D x H)	PU
0966 010 000	370 x 270 x 85	335 x 231.25 x 54	1



Case 4.4.1 T Transparent

including 11 empty boxes

Item No	External Dimension mm (W x D x H)	Internal Dimension mm (W x D x H)	PU
0966 010 001	370 x 270 x 85	335 x 231.25 x 54	1



Case 4.4.2 T Transparent

without content

Item No	External Dimension mm (W x D x H)	Internal Dimension mm (W x D x H)	PU
0966 011 000	370 x 278 x 140	335 x 231.25 x 108	1



Transparent lid for a clear view of the contents

Ideal for flexible storage of small parts, tools, and consumables

Advantages:

- Optimal overview: Transparent lid for clear content visibility.
- Flexible storage: Flat lid for system tray inserts and empty boxes.
- Compatible and customizable: Grid dimensions for various applications and vehicle use.
- Combining cases: Rail contour and coupling elements for safe transport

With a number of functional elements

- Simple opening and closing due to closures with recessed handles.
- Labeling field for adhesive or inserted labels.
- Very comfortable to carry: Large handle design, integrated soft elements, and wide swivel radius to reduce strain on hands and wrists.
- Handle loadable with up to 60 kg.

Advice:

Without contents. Can be fitted with system empty boxes and tray inserts. System empty boxes must be positioned in case format 4.4 so that the groove for hooking in and the beveled labeling field are on the left-hand side.



Case 8.4

Case 8.4.1 B Black

without content

Item No	External Dimension mm (W x D x H)	Internal Dimension mm (W x D x H)	PU
0966 030 000	500 x 380 x 85	462.5 x 335 x 54	1



Case 8.4.1 TR Transparent

with grid, without content

Item No	External Dimension mm (W x D x H)	Internal Dimension mm (W x D x H)	PU
0966 040 000	500 x 380 x 85	462.5 x 335 x 54	1



Case 8.4.1 TR Transparent

with grid, including 4 empty boxes

Item No	External Dimension mm (W x D x H)	Internal Dimension mm (W x D x H)	PU
0966 040 001	370 x 270 x 85	335 x 231.25 x 54	1



Case 8.4.1 TR Transparent

with grid, including 10 empty boxes

Item No	External Dimension mm (W x D x H)	Internal Dimension mm (W x D x H)	PU
0966 040 002	500 x 380 x 85	462.5 x 335 x 54	1



Case 8.4.1 TR Transparent

with grid, including 16 empty boxes

Item No	External Dimension mm (W x D x H)	Internal Dimension mm (W x D x H)	PU
0966 040 003	500 x 380 x 85	462.5 x 335 x 54	1





Case 8.4.2

Case 8.4.2 B Black

without content

Item No	External Dimension mm (W x D x H)	Internal Dimension mm (W x D x H)	PU
0966 031 000	500 x 380 x 140	462.5 x 335 x 108	1



Case 8.4.2 TR Transparent

with grid, without content

Item No	External Dimension mm (W x D x H)	Internal Dimension mm (W x D x H)	PU
0966 041 000	500 x 380 x 140	462.5 x 335 x 108	1



Case 8.4.2 TR Transparent

with grid, including 12 empty boxes

Item No	External Dimension mm (W x D x H)	Internal Dimension mm (W x D x H)	PU
0966 041 001	500 x 380 x 140	462.5 x 335 x 108	1



Ideal for flexible storage of small parts, tools, and consumables

Advantages:

- Optimal overview: Transparent lid for a clear view of the contents.
- Flexible storage: Customizable with system empty boxes for various applications; compatible with vehicle equipment.
- Combining cases: Integrated rail contour and coupling elements for secure transport.

With a number of functional elements:

- Structure in the cover and base prevents contents from getting mixed up.
- Simple opening and closing with recessed handle closures.
- Labeling field for adhesive or inserted labels.

Very comfortable to carry:

- Large handle design with soft elements and a wide swivel radius reduces strain.
- Handle supports up to 60 kg load.

Advice:

The transparent lid does not fit plastic system tray inserts 4.4.1 and 4.4.2.

System empty boxes must be positioned in case format 8.4 with the hooking groove and labeling field on the lid side.



Case 8.4.3

Case 8.4.3 B Black

without content

Item No	External Dimension mm (W x D x H)	Internal Dimension mm (W x D x H)	PU
0966 032 000	500 x 380 x 195	462.5 x 335 x 162	1



Case 8.4.5 B Black

without content

Item No	External Dimension mm (W x D x H)	Internal Dimension mm (W x D x H)	PU
0966 034 000	500 x 380 x 320	462.5 x 335 x 270	1



Ideal for flexible storage of small parts, tools, and consumables

Advantages:

- Optimal Overview: Easy visibility and access to contents.
- Flat Lid Design: Compatible with tray inserts and system empty boxes.
- Customizable: Flexible grid dimensions for different applications.
- Vehicle Use: Suitable for storing and transporting equipment.
- Combine Cases: Integrated rail contours allow safe combination and transport.
- Functional Design: Simple openings with recessed handles and labelling field.

Comfortable to Carry:

- Large Handle: Comfortable grip with soft elements to reduce hand strain.
- 60 kg Load Capacity: Strong handle design for heavy-duty use.

Advice:

Empty Cases: Supplied without contents, can be customized with system inserts.
Positioning: System empty boxes should be placed in case format 8.4 for correct fitting.

RECA VISO System Organisers



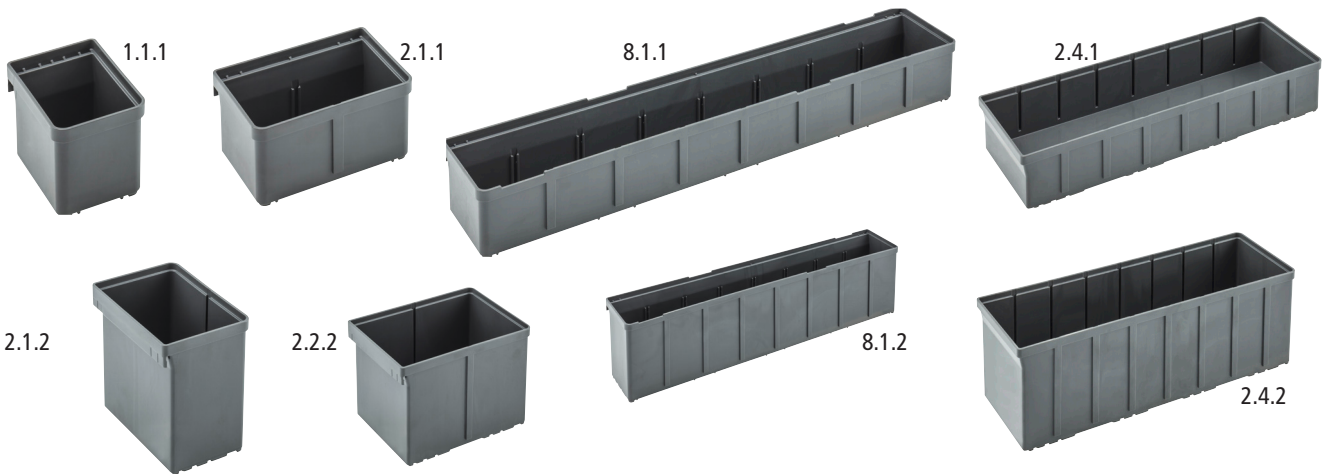
Empty boxes

For variable compartment division and neat storage and provision of various small parts. The empty boxes can be individually combined with all partitioning materials.

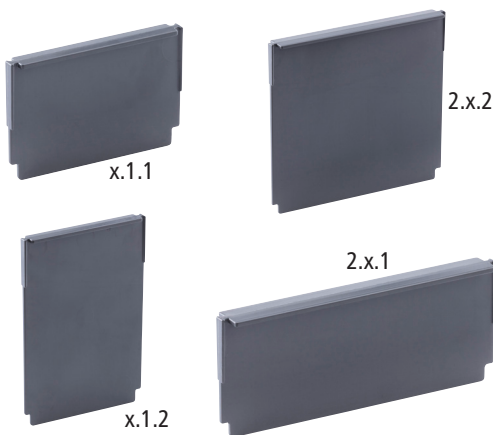
Advantages:

- The empty boxes are based on a grid system that allows the empty boxes to be arranged individually in the cases.
- Grid feet fix the boxes to the base of the case and keep them in position.
- The transparent lid with grid prevents 100% of the contents from falling out.
- The empty boxes can be divided individually with additional dividers.
- Can also be used on workshop walls or assembly stations - a groove allows it to be attached to suspension rails.
- Easy identification of box contents thanks to integrated, slightly slanted labeling field.

Item No	Designation	Dimension mm (W x D x H)	PU
0966 002 301	Empty box 1.1.1	462.5 x 335 x 162	1
0966 002 302	Empty box 2.1.1	114 x 82 x 55	1
0966 002 303	Empty box 2.2.1	114 x 167 x 55	1
0966 002 304	Empty box 2.4.1	114 x 334 x 55	1
0966 002 305	Empty box 8.1.1	462 x 82 x 55	1
0966 002 401	Empty box 2.1.2	114 x 82 x 110	1
0966 002 402	Empty box 2.2.2	114 x 167 x 110	1
0966 002 403	Empty box 2.4.2	114 x 334 x 110	1
0966 002 404	Empty box 8.1.2	462 x 82 x 110	1



Empty boxes Dividers



Item No	Designation	Dimension mm (W x D x H)	PU
0966 002 310	Empty boxes Divider x.1.1	70 x 8 x 45	1
0966 002 311	Empty boxes Divider 2.x.1	110 x 15 x 45	1
0966 002 410	Empty boxes Divider x.1.2	70 x 8 x 98	1
0966 002 411	Empty boxes Divider 2.x.2	110 x 15 x 98	1

RECA VISO System Organisers



Thermoforming Inserts

Compartment Dividers for Neat Storage and Organization

These deep-drawn inserts provide effective storage for various small parts. They are available in two options: fixed compartment dividers and variable dividers with separate sections for flexible organization.

- Two 4.4.x thermoforming inserts are compatible with the 8.4.x cases.
- Please note, these dividers are not compatible with the transparent cover featuring the TR grid.

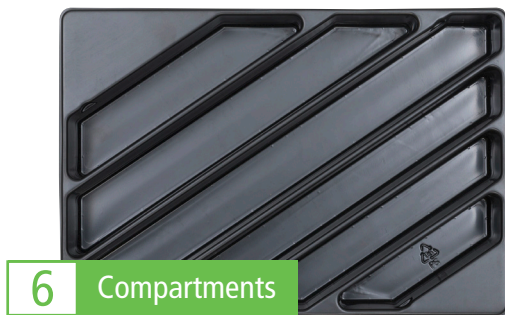
Thermoforming inserts 4.4.1



Partition element 4.4.1 for 3-way flex.



Divider 4.4.1 for 5-way flex.





18 Compartments



20 Compartments

Item No	Designation	Dimension mm (W x D x H)	PU
0966 002 101	Thermoforming insert 4.4.1 2-fold	335 x 231.25 x 54	1
0966 002 102	Thermoforming insert 4.4.1 3-fold flex	335 x 231.25 x 54	1
0966 002 103	Partition element 4.4.1 for 3-way flex	73.5 x 2.5 x 51.5	1
0966 002 104	Thermoforming insert 4.4.1 4-fold	335 x 231.25 x 54	1
0966 002 105	Thermoforming insert 4.4.1 5-fold flex	335 x 231.25 x 54	1
0966 002 106	Divider 4.4.1 for 5-way flex	65.6 x 2.5 x 51.5	1
0966 002 107	Thermoforming insert 4.4.1 6-fold	335 x 231.25 x 54	1
0966 002 108	Thermoforming insert 4.4.1 8-fold	335 x 231.25 x 54	1
0966 002 109	Thermoforming insert 4.4.1 12-fold	335 x 231.25 x 54	1
0966 002 110	Thermoforming insert 4.4.1 16-fold	335 x 231.25 x 54	1
0966 002 111	Thermoforming insert 4.4.1 18-fold	335 x 231.25 x 54	1
0966 002 112	Thermoforming insert 4.4.1 20-fold	335 x 231.25 x 54	1

Thermoforming inserts 4.4.2



2 Compartments



4 Compartments



8 Compartments

Item No	Designation	Dimension mm (W x D x H)	PU
0966 002 201	Thermoforming insert 4.4.2 2-fold	335 x 231.25 x 108	1
0966 002 202	Thermoforming insert 4.4.2 4-fold	335 x 231.25 x 108	1
0966 002 203	Thermoforming insert 4.4.2 8-fold	335 x 231.25 x 108	1

RECA VISO System Organisers



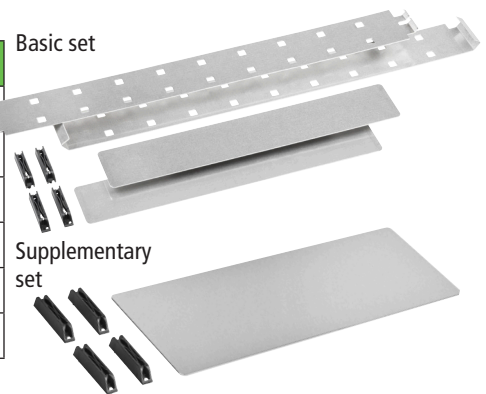
VISO Sheet Metal Divider 8.4.1 Basic Set

For flexible and efficient storage in VISO system cases.

Features:

- Customizable layout for varied product storage.
- Durable sheet metal construction.
- Easy to install in VISO system cases.

Item No	Designation	PU
0966 002 600	Sheet division 8.4.1 Basic set	1
0966 002 601	Sheet metal division 8.4.1 Supplementary set	1
0966 002 602	Sheet metal division 8.4.2 Basic set	1
0966 002 603	Sheet metal division 8.4.2 Supplementary set	1
0966 002 604	Sheet metal division 8.4.3 Basic set	1
0966 002 605	Sheet metal division 8.4.3 Supplementary set	1



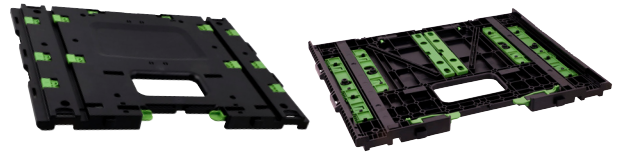
RECA VISO System Accessories

Adapter plate 8.4.x / 4.4.x

- Basic set
- Supplementary set

For connecting cases with basic dimensions 8.4.x and 4.4.x

Item No	Dimension mm (W x D x H)	PU
0966 009 020	520 x 35 x 405	1



Advantages:

- Different cases can be stacked and linked together.
- Fixing with coupling elements.
- Locking mechanism secures the adapter plate on the 8.4.x cases.

Case spare parts

Item No	Designation	PU
0966 001 001	Closures 8.4.x / 4.4.x / pair	1
0966 001 003	Coupling elements 8.4.x / 4.4.x / pair	1
0966 001 004	Replacement handle 8.4. x/ 4.4.x	1
0966 001 010	Replacement lid 4.4.x T Transparent	1
0966 001 030	Replacement cover 8.4. x B black	1
0966 001 040	Replacement cover 8.4. x TR Transparent with grid	1



RECA VISO System Accessories



Trolley

Means of transportation for cases 8.4.x and 4.4.x.

Advantages:

- Sturdy frame.
- Maximum load capacity of 250 kg.
- Excellent handling characteristics - swivel castors with parking brake and 2 fixed castors.
- The trolley is secured by the coupling elements of the cases.
- Flexible mounting plate: Enables the 4.4.x and 8.4.x cases to be mounted and secured.

Item No	Dimension mm (W x D x H)	PU
0966 009 001	615 x 490 x 185	1



Folding transport trolley

Load capacity: 125 kg

Bucket width x depth:
480 x 320 mm

Article no. 4512 101 732

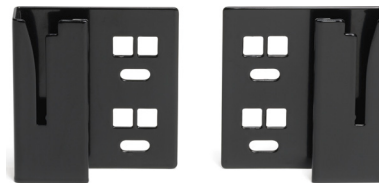


Wall Bracket

For hanging suitcases.

- Suitable for 4.4.x and 8.4.x.
- Simple attachment to perforated panel systems.
- Dimensions: W 80 x H 20 x D 85 mm

Art.No: 0966 009 010



Hanging Rail For Empty Boxes

For hanging empty boxes.

Advantages:

- For placing several empty boxes.
- Load capacity up to 25 kg (depending on the mounting situation).
- Adaptation to the current installation situation.
- Can be positioned at two angles - straight and at a 45° angle.
- Can be moved horizontally on a rail.
- Flexible attachment of the hanging rail to stacking cabinets, perforated panel systems and walls.



Item No	Designation	Dimension mm (W x D x H)	PU
0966 009 011	Hanging rail for empty boxes 495	495 x 20 x 35	1
0966 009 012	Hanging rail for empty boxes 990	990 x 20 x 35	1

RECA Viso System Stacking Cabinets



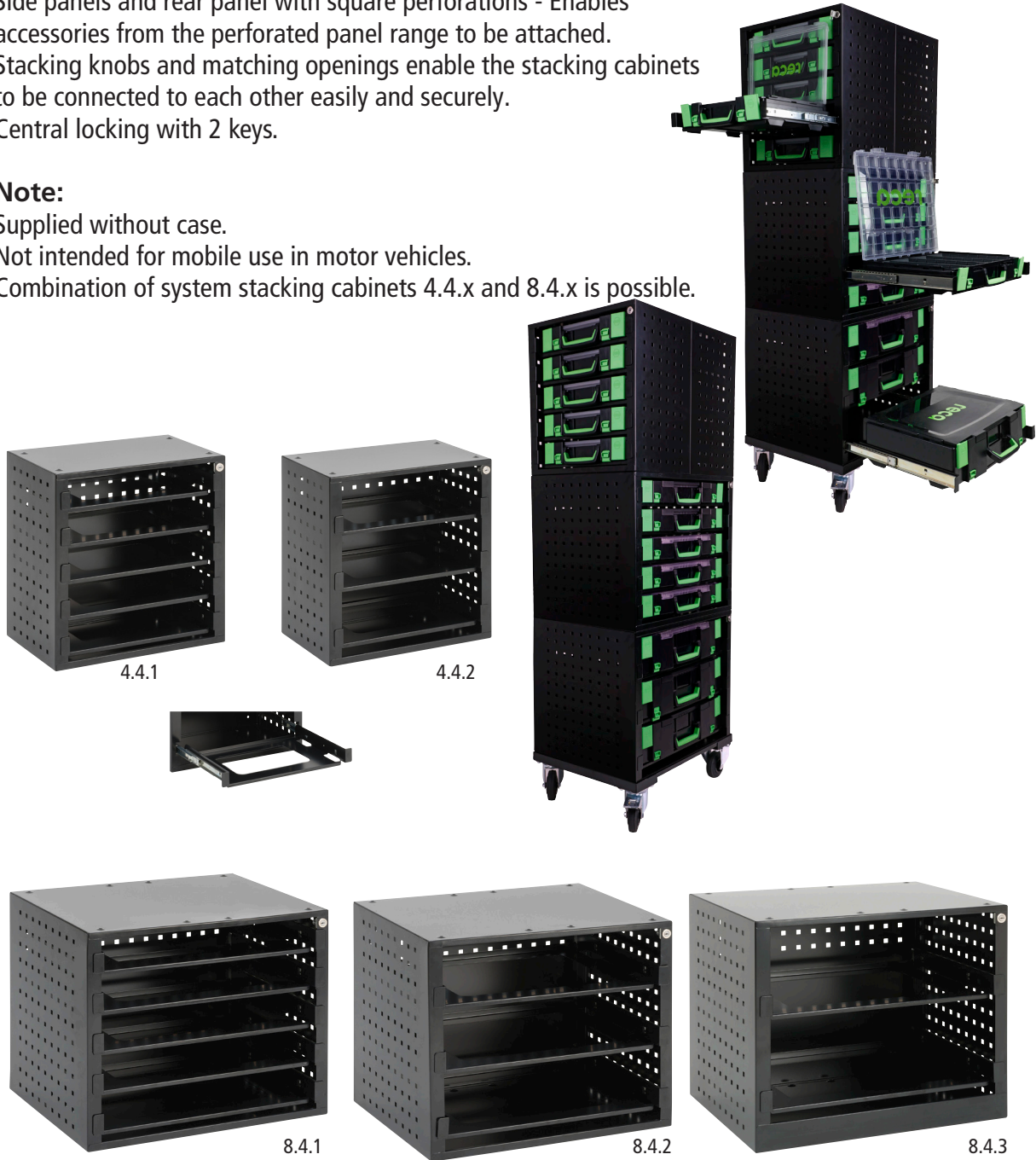
Drawer cabinet system consisting of stackable modules for cases that can be screwed together.

Advantages:

- Ball-bearing telescopic pull-outs - cases can be opened in the stacking cabinet.
- Side panels and rear panel with square perforations - Enables accessories from the perforated panel range to be attached.
- Stacking knobs and matching openings enable the stacking cabinets to be connected to each other easily and securely.
- Central locking with 2 keys.

Note:

- Supplied without case.
- Not intended for mobile use in motor vehicles.
- Combination of system stacking cabinets 4.4.x and 8.4.x is possible.



Item No	Designation	Dimension mm (W x D x H)	PU
0966 009 441	Stacking cabinet for 5 x cases 4.4.1	455 x 290 x 490	1
0966 009 442	Stacking cabinet for 3 x cases 4.4.2	455 x 290 x 490	1
0966 009 841	Stacking cabinet for 5 x cases 8.4.1	580 x 455 x 490	1
0966 009 842	Stacking cabinet for 3 x cases 8.4.2	580 x 455 x 490	1
0966 009 843	Stacking cabinet for 2 x cases 8.4.3	580 x 455 x 490	1

RECA VISO System Accessories



Replacement lock

Keyed alike lock including 2 keys.

Item No	PU
0966 009 901	1



Fuse set

For fastening and connecting

Item No	PU
0966 009 900	1



Trolleys For Stacking cabinets

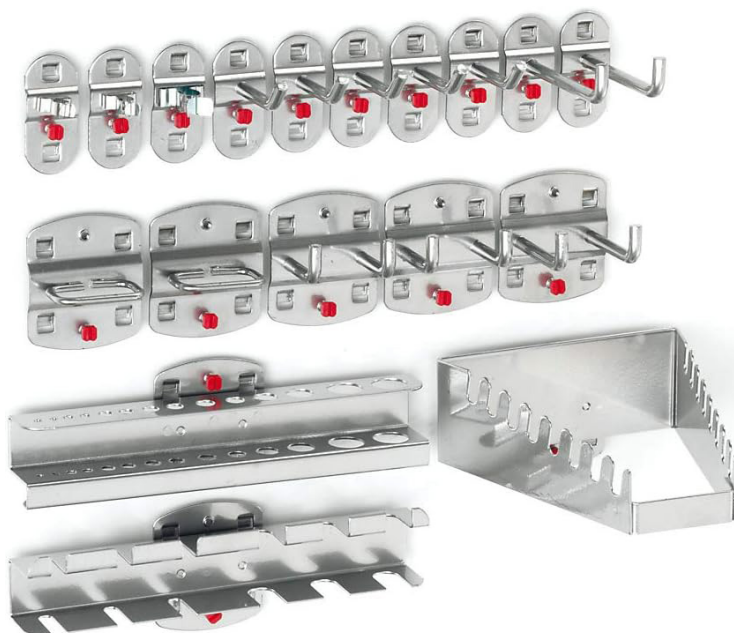
For transporting stacking cabinets including cases.

Item No	Dimension mm (W x D x H)	PU
0966 009 400	585 x 460 x 160	1



Hooks and Holders

Square perforations suitable for stacking cabinets.



You can find an extensive range of products in our online store: <https://eshop.reca-uk.com>



ON THE MOVE

Integration into the RECA System Bus



Stock
Management
Solutions for Trade
& Industry
Customers

RECA UK

Doranda Way, West Bromwich, B71 4LU
United Kingdom.
Tel. 0121 525 0525
sales@reca-uk.com
eshop.reca-uk.com

